



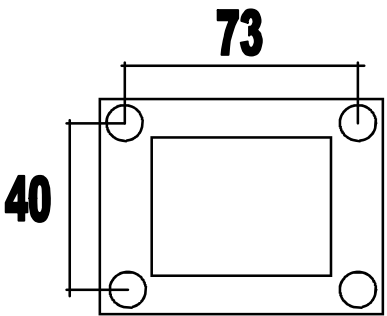
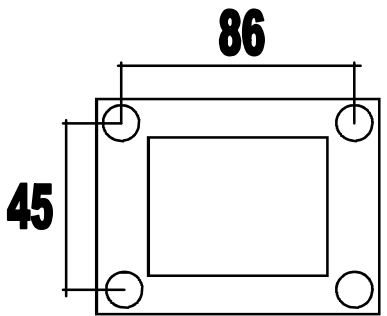
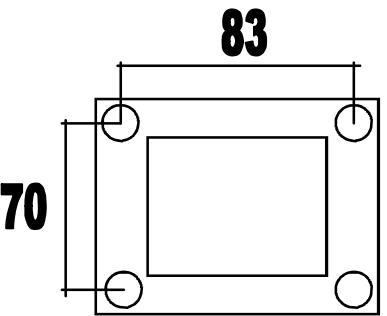
HG-MOTORSPORT

tuning and carstyling products

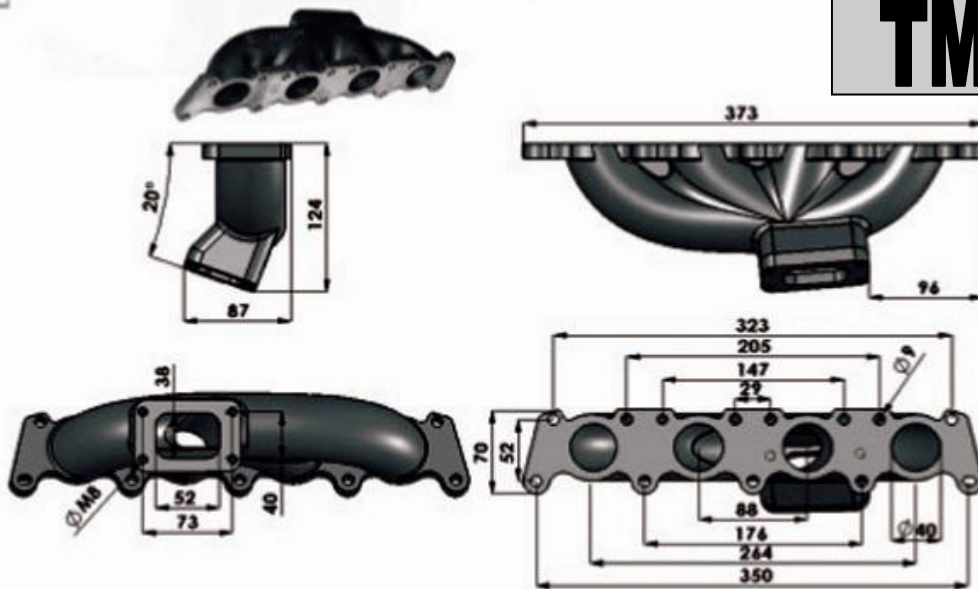
Turbokrümmer Zuordnung & Hinweise


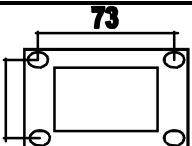
 1	<p><u>Ohne</u> Wastegate Anschluss Only for Internal Wastegate assembly</p>	 2	<p>Mit Wastegate Anschluss With Wastegate Flange</p> <hr/> <p>Kann Optional mit Abdeckplatte auch für Turbolader mit Internem Wastegate eingesetzt werden</p> <p>Optional: With using a Steel Plate on the Wastegate connection, You can also use this Header with internal Wastegate.</p>
--	---	--	--

Flanschmaße

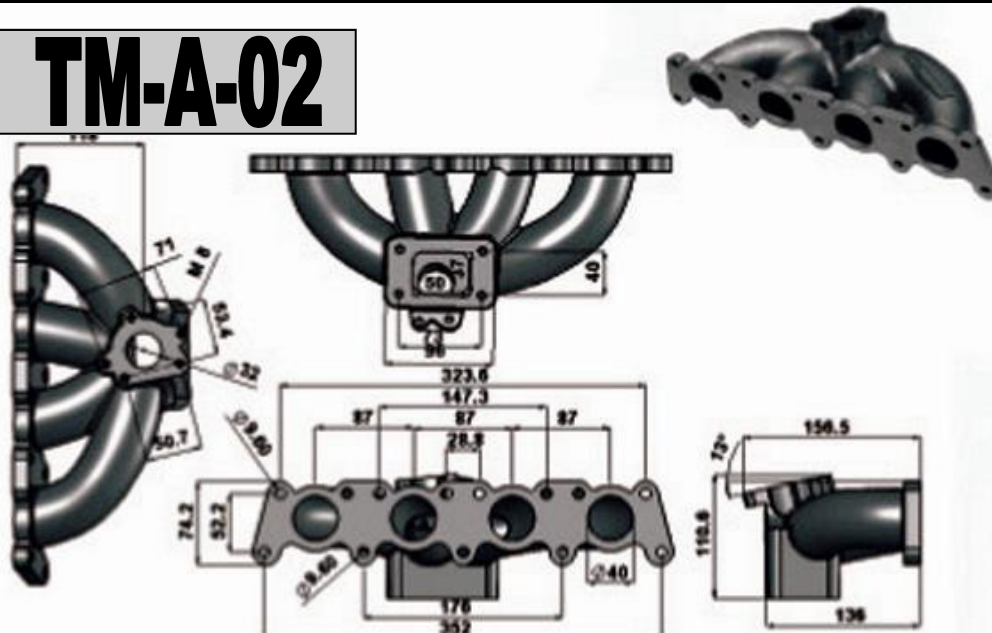
T2/ T25 Serie Flansch	T3 Serie Flansch	T4 Serie Flansch
<p style="text-align: center;">73</p>  <p style="text-align: left;">40</p>	<p style="text-align: center;">86</p>  <p style="text-align: left;">45</p>	<p style="text-align: center;">83</p>  <p style="text-align: left;">70</p>


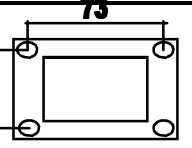
TM-A-01



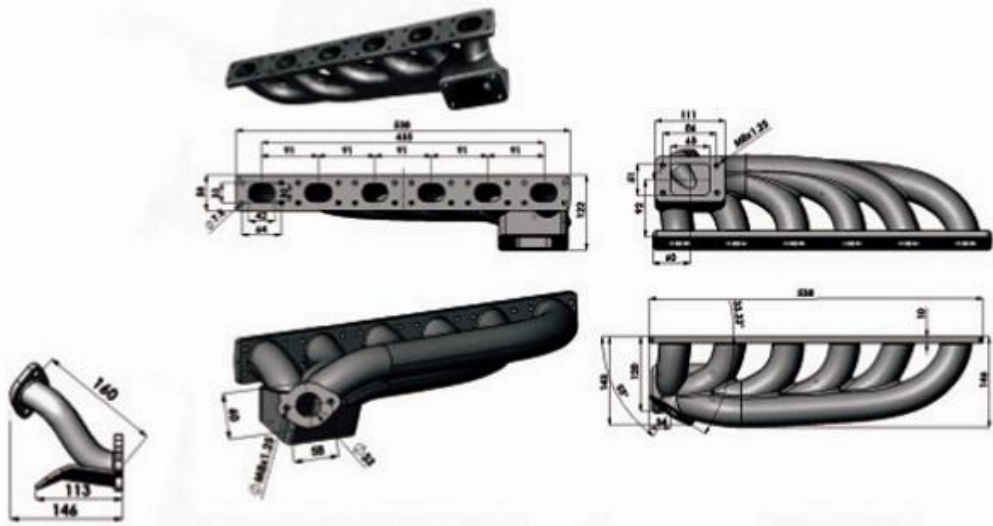
Hinweis/ Info	Wastegate	Motor / Engine	Turbolader/ Turbocharger
 1	Intern	VAG <ul style="list-style-type: none"> • 1,8 20 V • 1,8T Längs & Quermotoren Longitudinal & Transverse	T2 / GT Serie T2 / GT Serie 


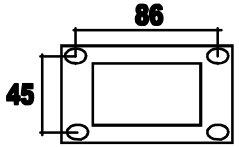
TM-A-02



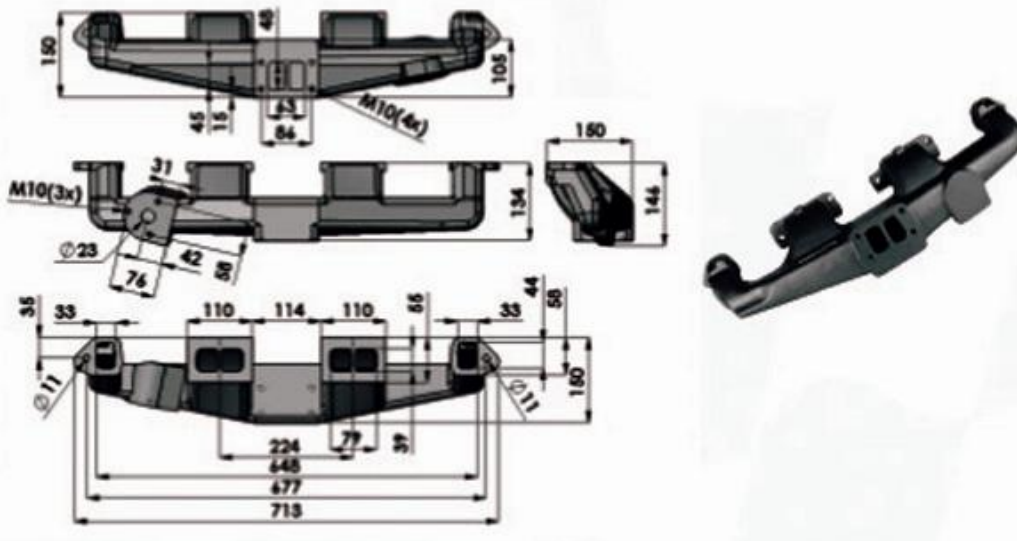
Hinweis/ Info	Wastegate	Motor / Engine	Turbolader/ Turbocharger
 2	WG CP 2S WG MCS 1 S WG USA 1	VAG <ul style="list-style-type: none"> • 1,8 20 V • 1,8T Quermotoren Transverse	T2 / GT Serie T2 / GT Serie 


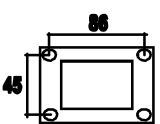
TM-B-01



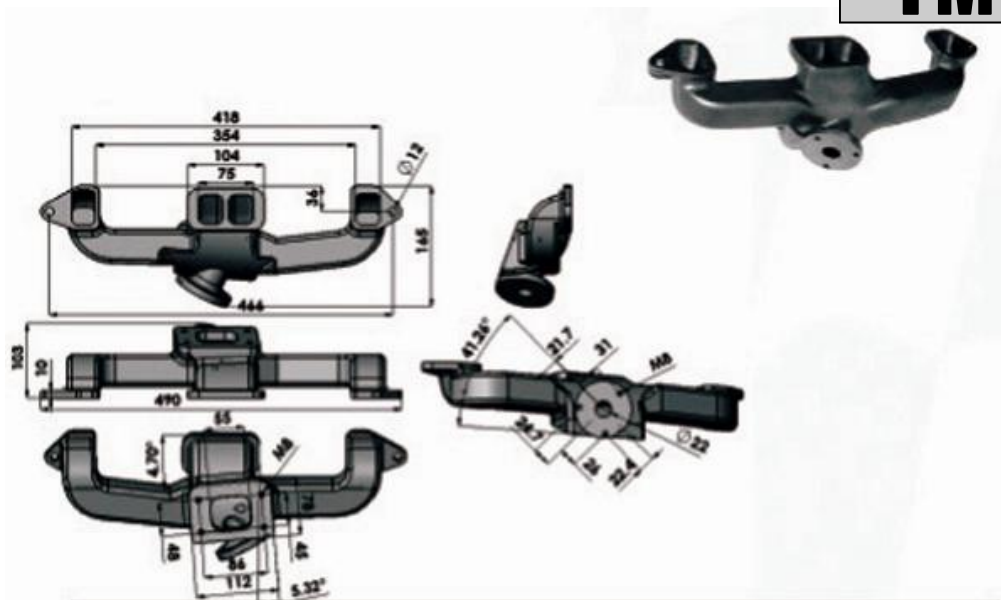
Hinweis/ Info	Wastegate	Motor / Engine	Turbolader/ Turbocharger
 2	WG CP 2S WG MCS 1 S WG USA 1	BMW 6 Zylinder <ul style="list-style-type: none"> • M50 • M52 • S50 	T3-T4 / GT Serie T3-T4 / GT Series 


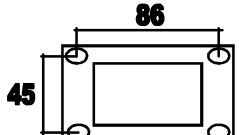
TM-C-02



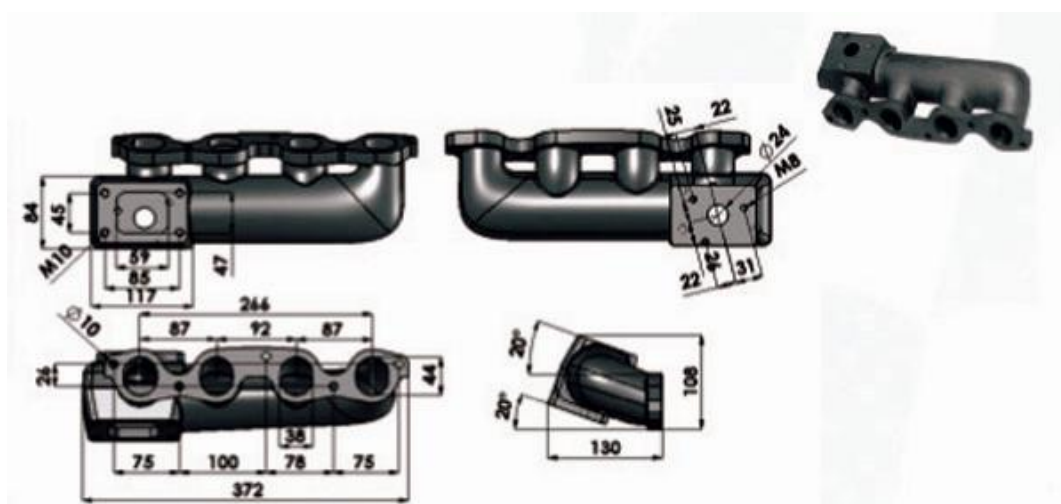
Hinweis/ Info	Wastegate	Motor / Engine	Turbolader/ Turbocharger
 2	WG CP 2L WG MCS 1L	Opel / Vauxhall <ul style="list-style-type: none"> • CIH 6 Zylinder 	T3 / T4 / GT Serie T3 / T4 / GT Series 


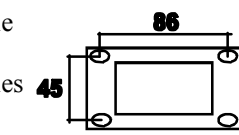
TM-C-04



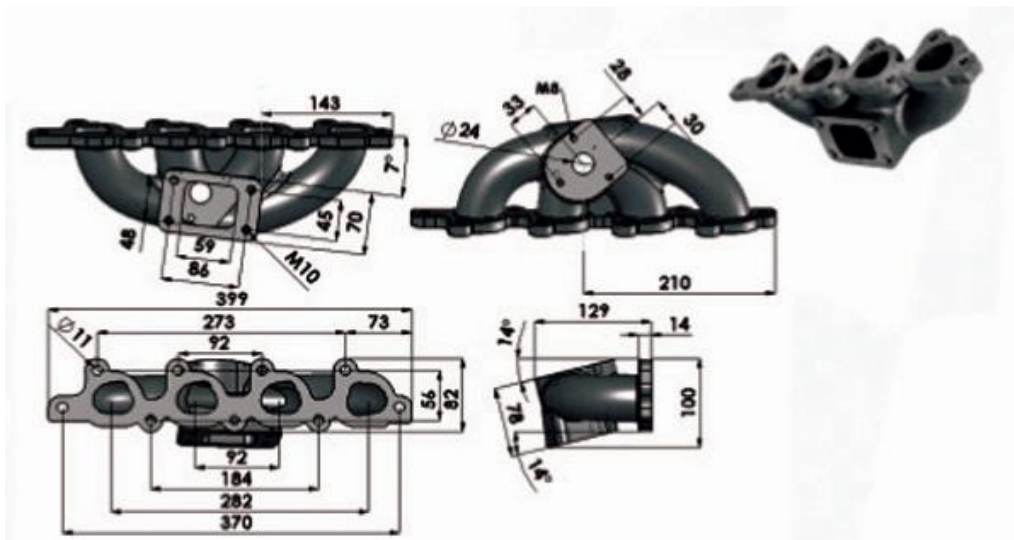
Hinweis/ Info	Wastegate	Motor / Engine	Turbolader/ Turbocharger
 2	WG CP 2L WG MCS 1L	Opel / Vauxhall • CIH 4 Zylinder	T3 -T4 / GT Serie T3 - T4 / GT Series 


TM-F-04

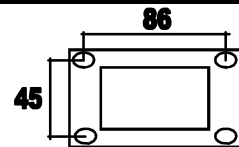


Hinweis/ Info	Wastegate	Motor / Engine	Turbolader/ Turbocharger
 2	WG CP 2L WG MCS 1L WG CP 2S WG MCS 1S	Fiat • Tipo / Tempra 1,8 - 2,0 8V	T3 / GT Serie T3 / GT Series 

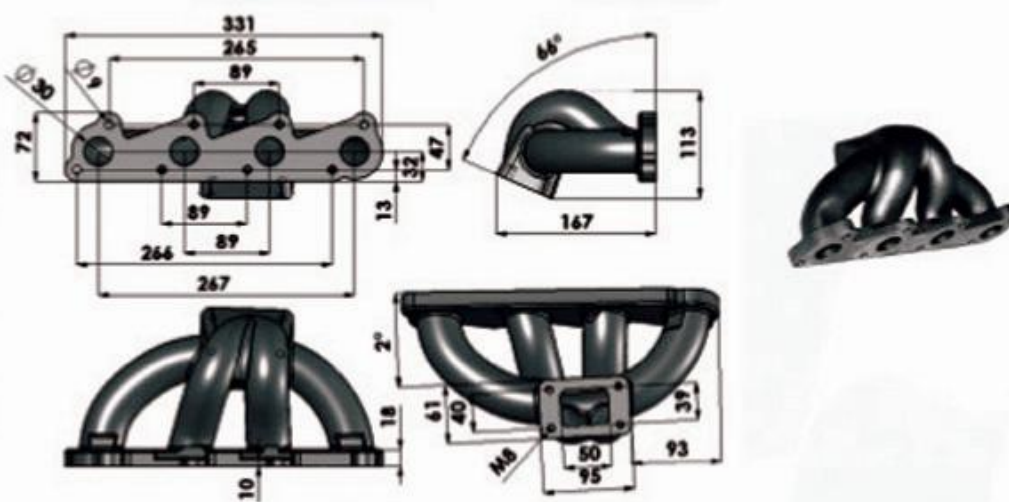
TM-FD-01




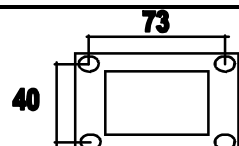
Hinweis/ Info	Wastegate	Motor / Engine	Turbolader/ Turbocharger
 2	WG CP 2L WG MCS 1L	Ford <ul style="list-style-type: none"> Zetec 1,8 - 2,0 16 V 	T3 / GT Serie T3 / GT Series



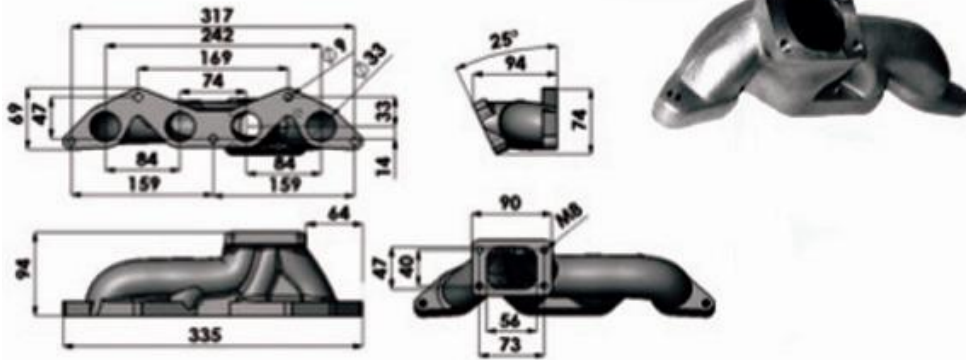
TM-FD-02


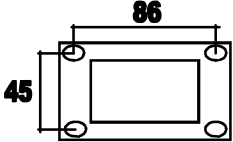


Hinweis/ Info	Wastegate	Motor / Engine	Turbolader/ Turbocharger
 1	Intern	Ford <ul style="list-style-type: none"> Fiesta 1,3 I Ka 1,3 - 1,6 I 	T2 / GT Serie T2 / GT Series

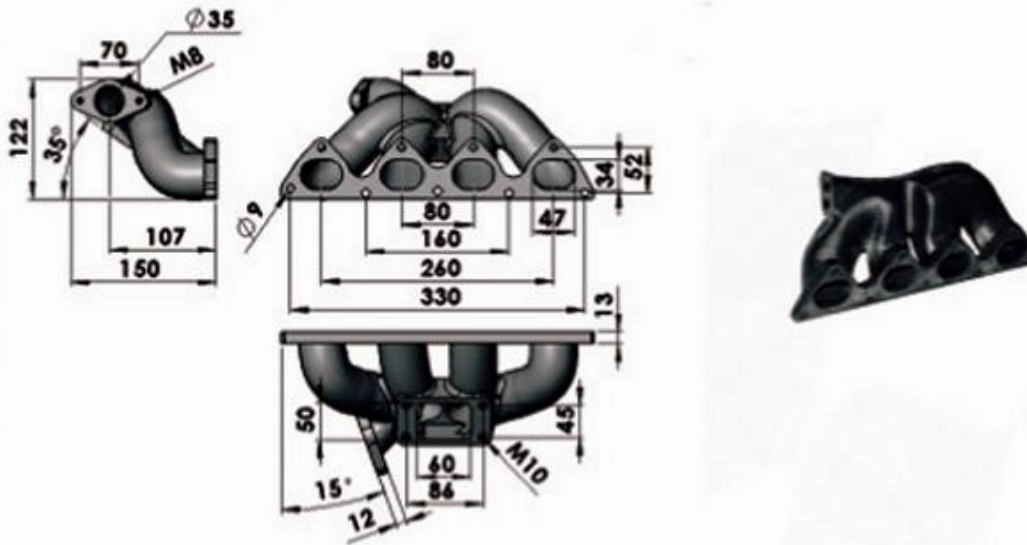



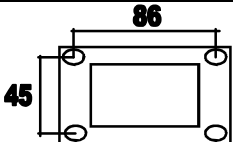
TM-H-01



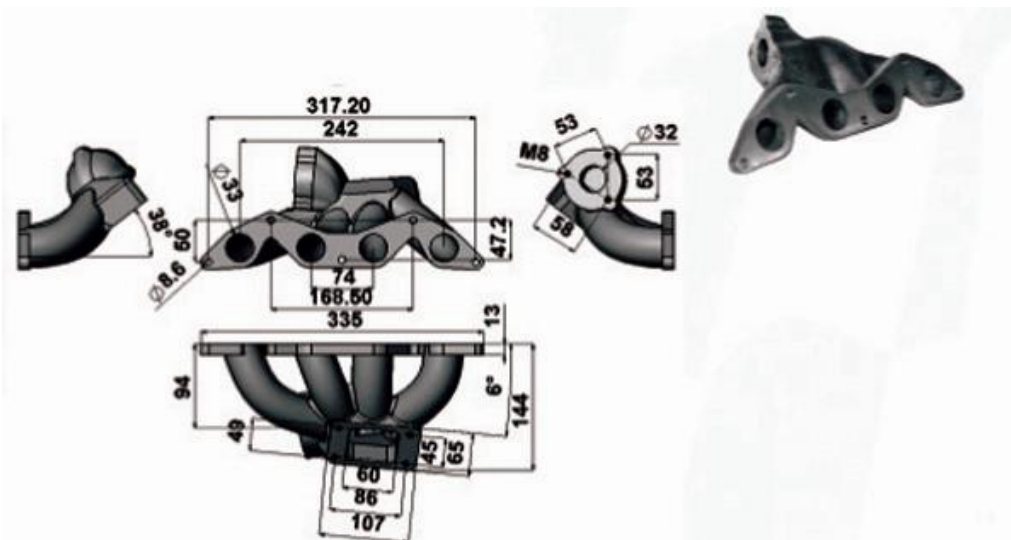
Hinweis/ Info	Wastegate	Motor / Engine	Turbolader/ Turbocharger
 1	Intern	Honda <ul style="list-style-type: none"> D 17 Motoren 	T3-T4 / GT Serie T3-T4 / GT Serie 


TM-H-02

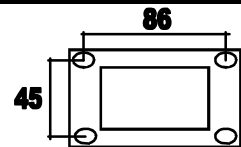


Hinweis/ Info	Wastegate	Motor / Engine	Turbolader/ Turbocharger
 2	WG USA 1	Honda <ul style="list-style-type: none"> B 16 Motoren 	T3-T4 / GT Serie T3-T4 / GT Serie 

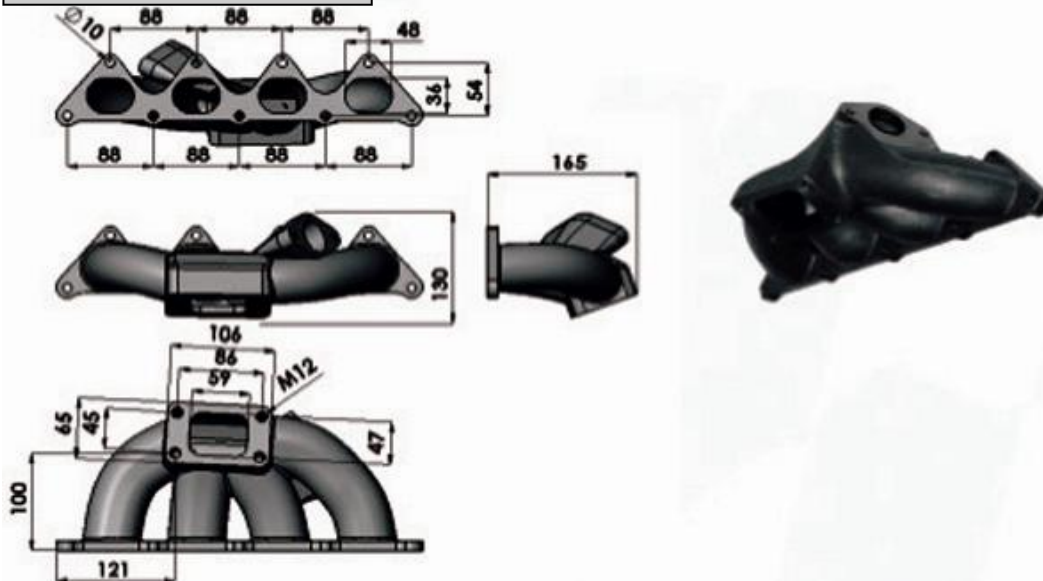
TM-H-03




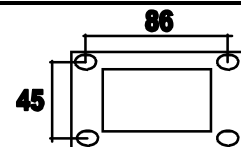
Hinweis/ Info	Wastegate	Motor / Engine	Turbolader/ Turbocharger
 2	WG CP 2L WG MCS 1 L WG USA 1	Honda • D 17 Motoren	T3-T4 / GT Serie T3-T4 / GT Series



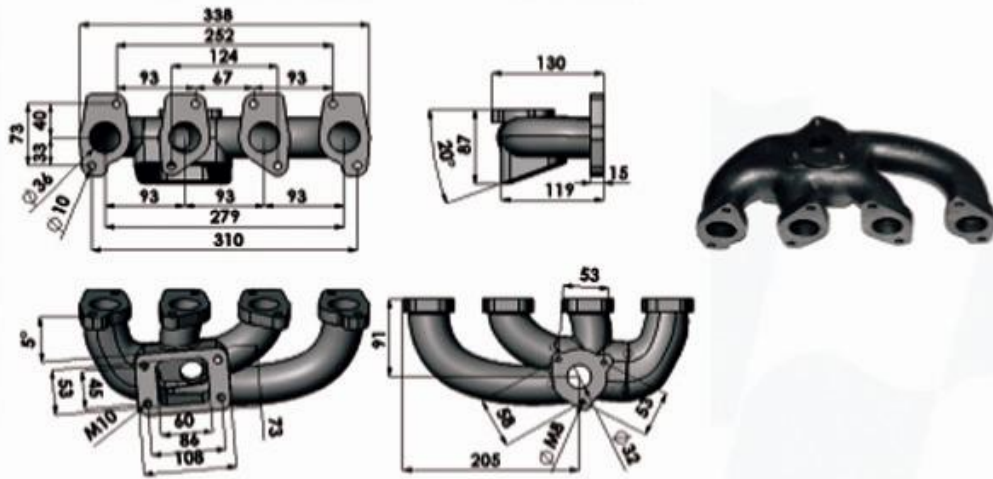
TM-M-01


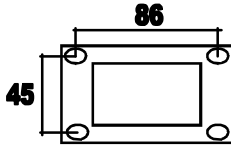


Hinweis/ Info	Wastegate	Motor / Engine	Turbolader/ Turbocharger
 2	WG USA 1	Mitsubishi • 1,6 - 1,8 L Motoren	T3-T4 / GT Serie T3-T4 / GT Series

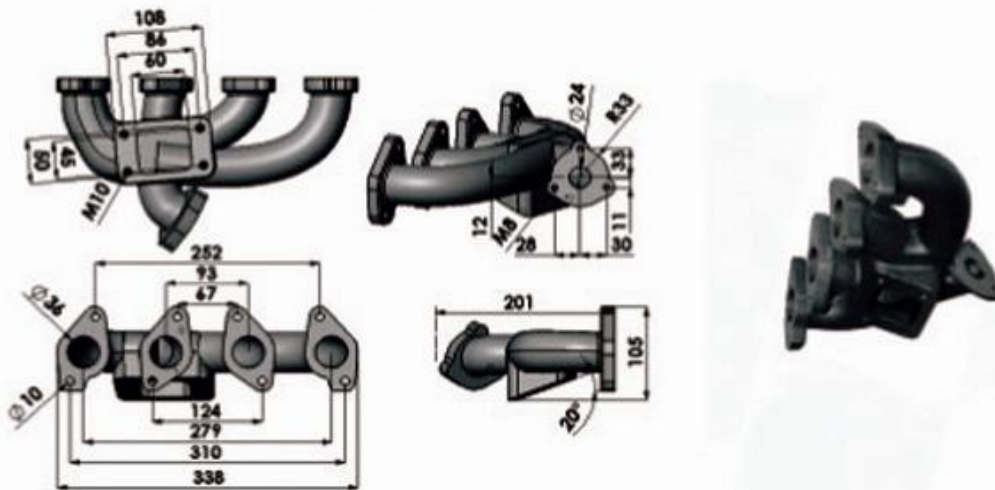



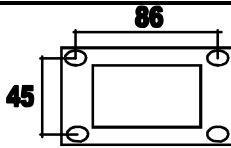
TM-OP-01



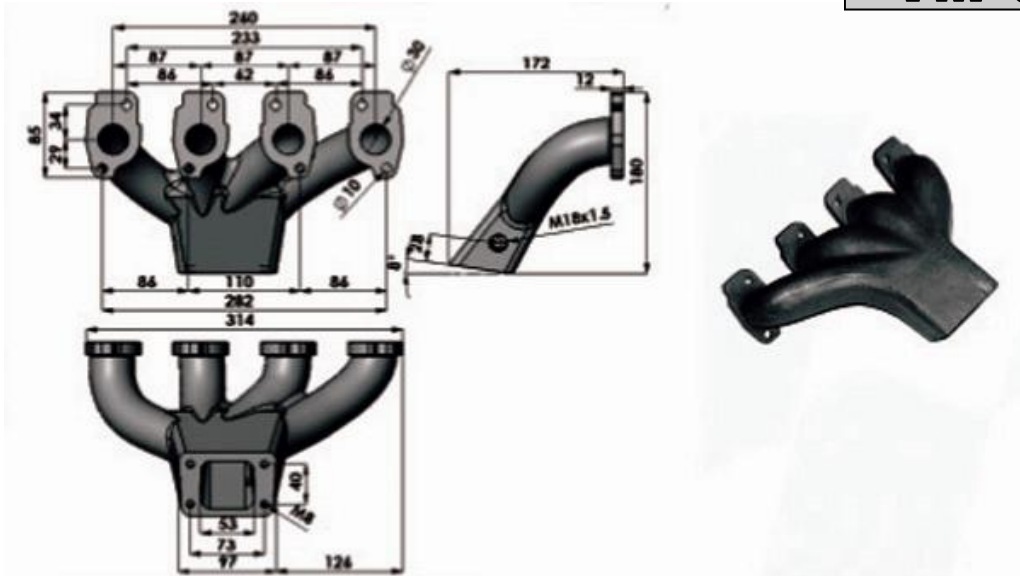
Hinweis/ Info	Wastegate	Motor / Engine	Turbolader/ Turbocharger
 2	WG CP 2 L WG MCS 1 L	Opel C18 / C20 8 V Motoren <ul style="list-style-type: none"> • Astra / Kadett / Ascona • Calibra • Vectra • C20NE Umbauten da sehr kompakt 	T3 / GT Serie T3 / GT Series 


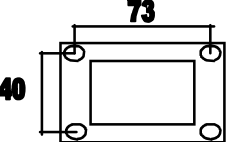
TM-OP-07



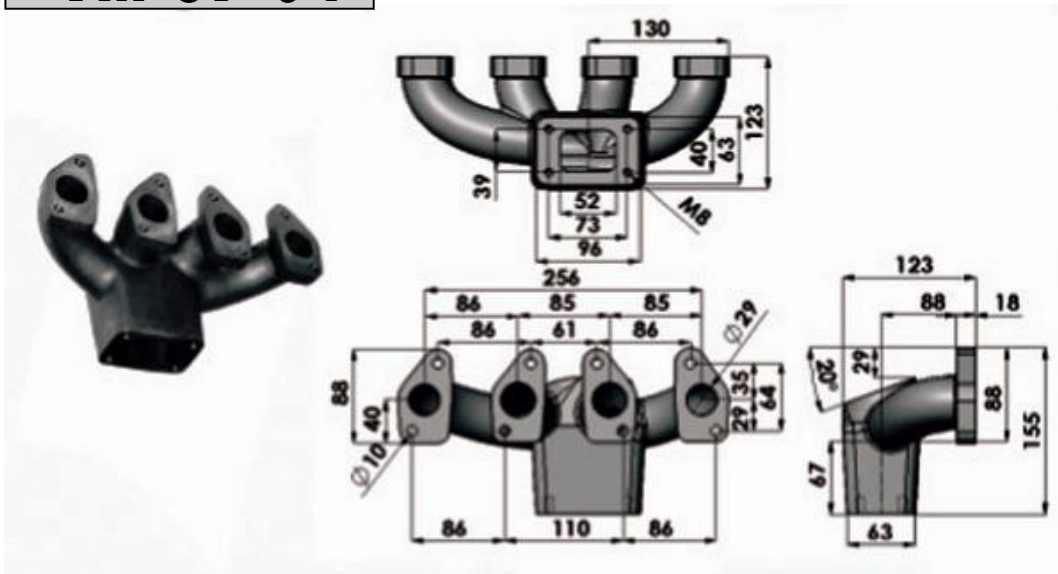
Hinweis/ Info	Wastegate	Motor / Engine	Turbolader/ Turbocharger
 2	WG CP 2 L WG MCS 1 L	Opel C18 / C20 8 V Motoren <ul style="list-style-type: none"> • Calibra • Vectra A / B 	T3 / GT Serie T3 / GT Series 


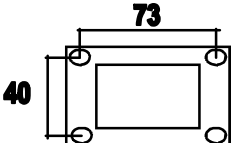
TM-OP-03



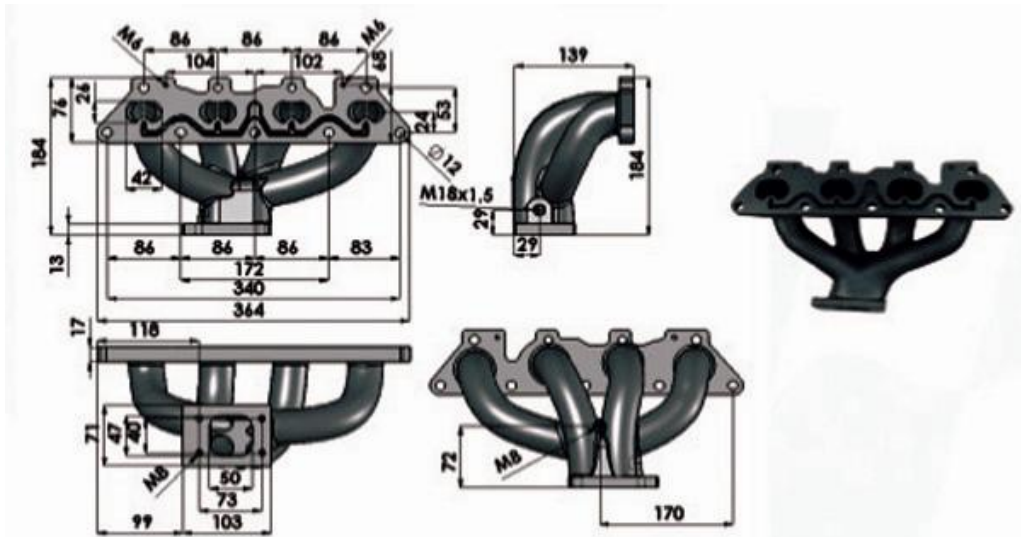
Hinweis/ Info	Wastegate	Motor / Engine	Turbolader/ Turbocharger
 1	Intern	Opel Small Block 1,2 - 1,6 8V <ul style="list-style-type: none"> • Corsa A / B • Astra • Kadett E / D • Vectra A / B 	T2 / GT Serie T2 / GT Series 



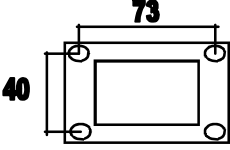
TM-OP-04



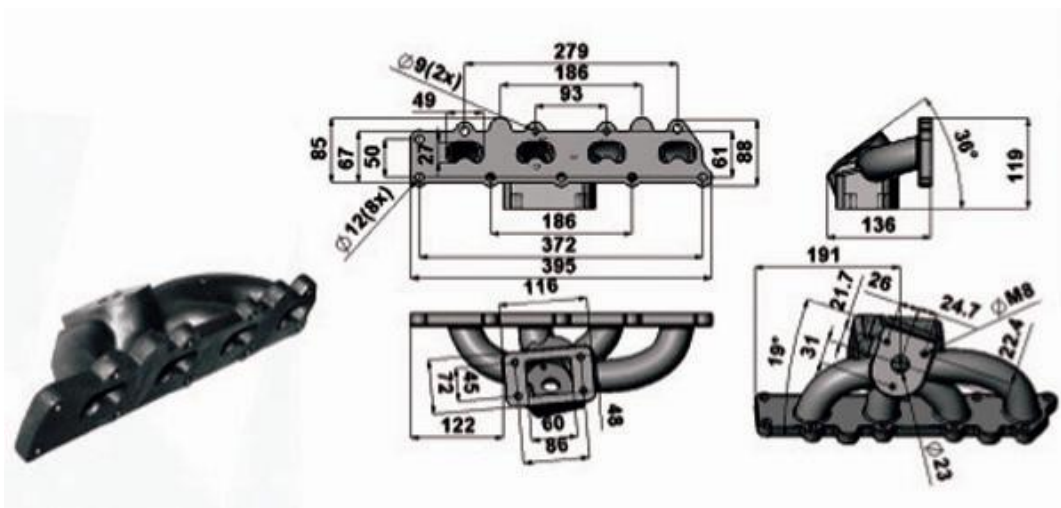
Hinweis/ Info	Wastegate	Motor / Engine	Turbolader/ Turbocharger
 2	WG CP 2S WG MCS 1 S	Opel Small Block 1,2 - 1,6 8V <ul style="list-style-type: none"> • Corsa A / B • Astra • Kadett E / D • Vectra A / B 	T2 / GT Serie T2 / GT Series 



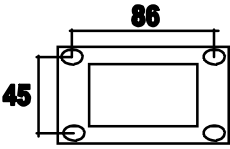
TM-OP-05



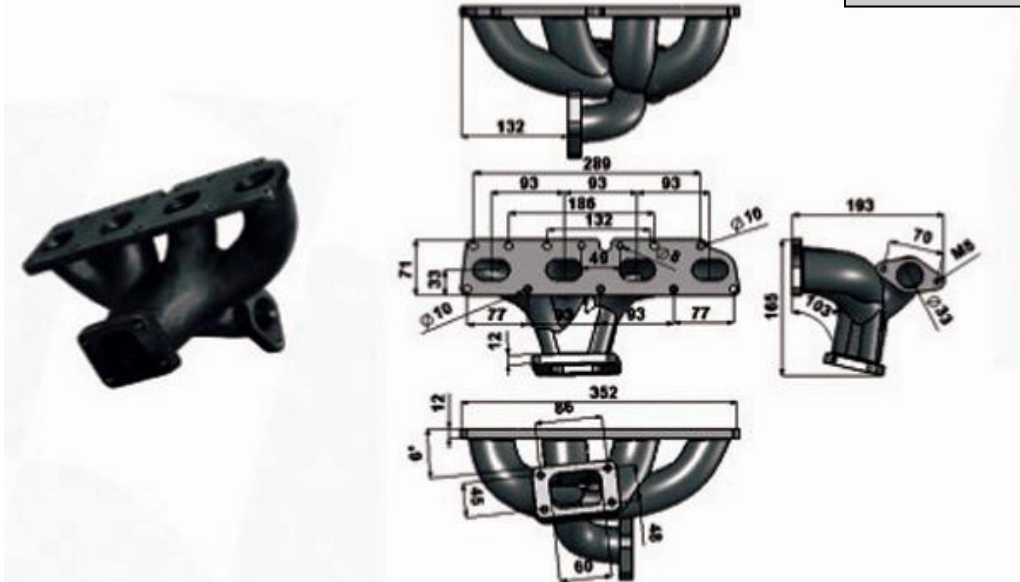
Hinweis/ Info	Wastegate	Motor / Engine	Turbolader/ Turbocharger
 	Intern	Opel X - Motoren X14 / X16 nur 16V Ecotec <ul style="list-style-type: none"> • Astra F / G • Corsa B / Tigra • Vectra B 	T2 / GT Serie T2 / GT Series 


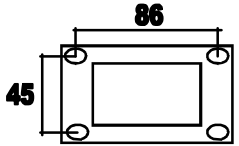
TM-OP-06



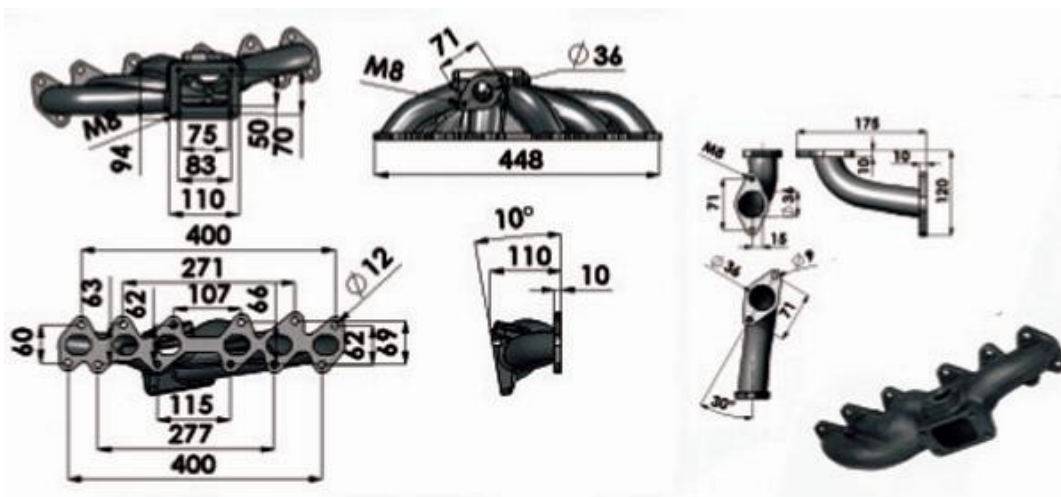
Hinweis/ Info	Wastegate	Motor / Engine	Turbolader/ Turbocharger
 	WG CP 2S WG MCS 1 S	Opel C18XE / X20XEV, X18XE Ecotec Motoren <ul style="list-style-type: none"> • Astra F/G • Calibra • Vectra B 	T3 / GT Serie T3 / GT Series 


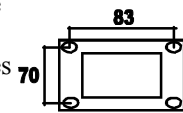
TM-OP-08



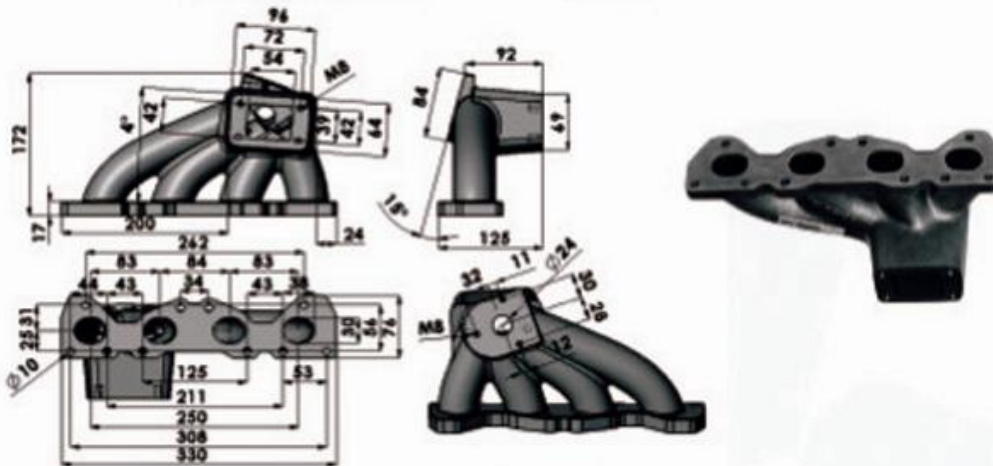
Hinweis/ Info	Motor / Engine	Turbolader/ Turbocharger
 2	Opel <ul style="list-style-type: none"> • C20 XE • C20 LET 	T3 / GT Serie T3 / GT Series <div style="text-align: right;">  </div>


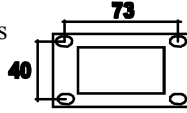
TM-TY-03



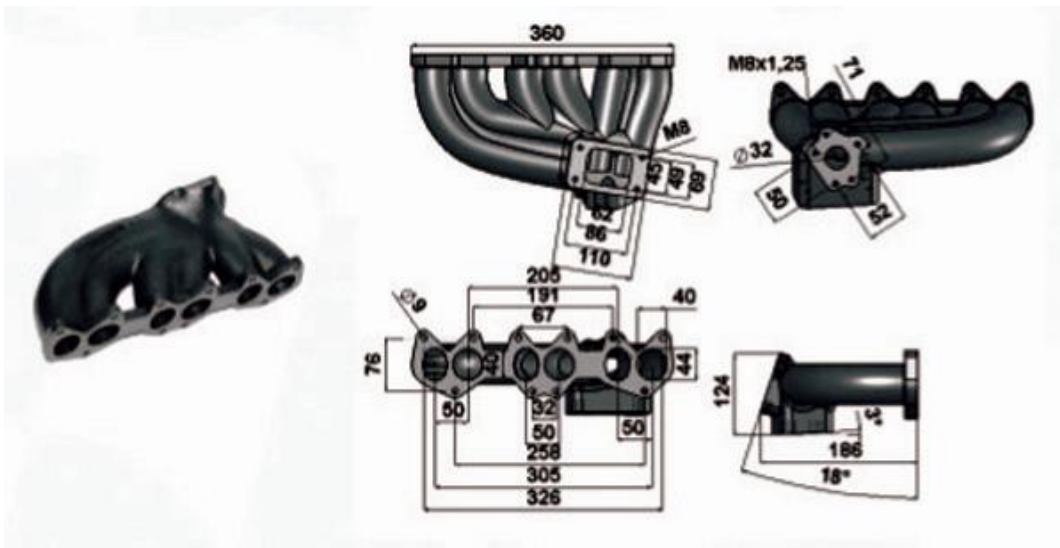
Hinweis/ Info	Wastegate	Motor / Engine	Turbolader/ Turbocharger
 2	WG USA 1	Toyota Supra 2JZ - GTE 93 - 98 <ul style="list-style-type: none"> • Umbau auf 1x Turbolader 	T4 / GT Serie T4 / GT Series <div style="text-align: right;">  </div>


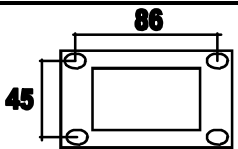
TM-PG-01



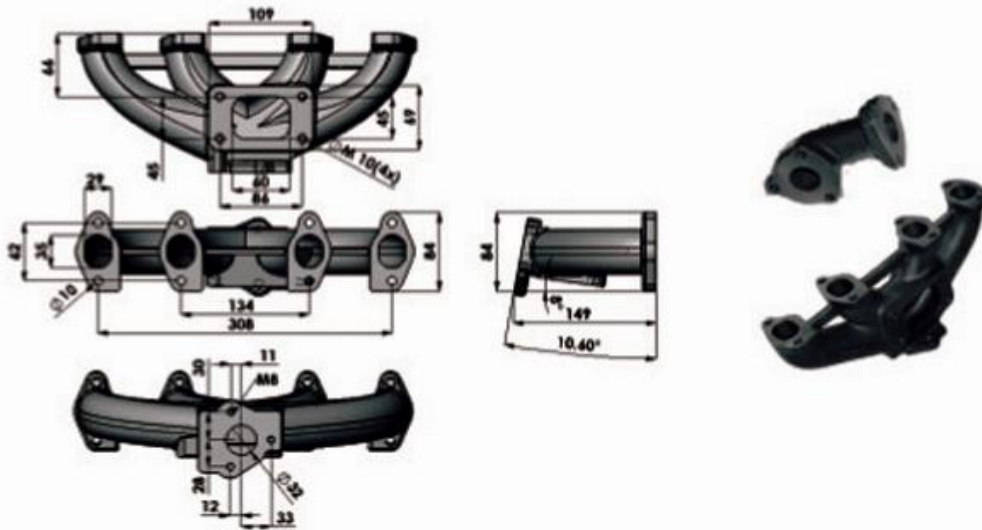
Hinweis/ Info	Wastegate	Motor / Engine	Turbolader/ Turbocharger
 2	WG CP 2S WG MCS 1 S WG CP 2L WG MCS 1 L	Peugeot / Citroen <ul style="list-style-type: none"> 106 / 206 1,4 - 1,6 16 V 1,4 - 1,6 16 V 	T2 / GT Serie T2 / GT Series 


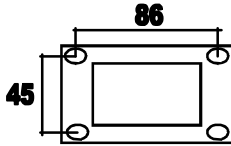
TM-W-03



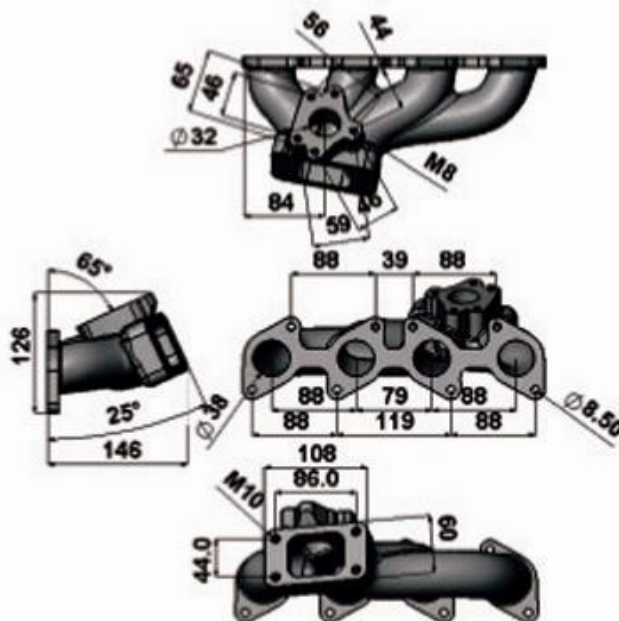
Hinweis/ Info	Wastegate	Motor / Engine	Turbolader/ Turbocharger
 2	WG CP 2S WG MCS 1 S WG USA 1	VAG 2,8 + 2,9 I VR6 Motoren ohne Syncro Ford Galaxy 2,8 V6	T3-T4 / GT Serie T3-T4 / GT Series 


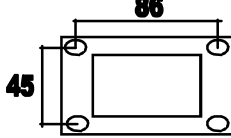
TM-W-08



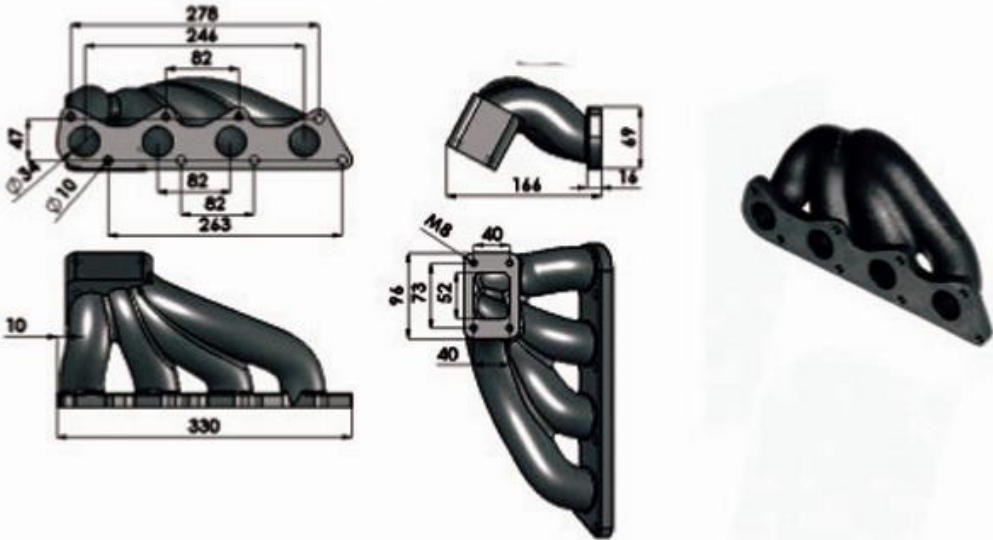
Hinweis/ Info	Wastegate	Motor / Engine	Turbolader/ Turbocharger
 2	WG CP 2 L WG MCS 1 L	VAG 1,6 - 1,8 - 2,0 8V <ul style="list-style-type: none"> Golf 1 /A3/ Golf IV/Bora 	T3 / GT Serie
		Mit Änderungen am Motorhalter <ul style="list-style-type: none"> Golf 2 /3/ Corrado/ Passat 	T3 / GT Series 



TM-W-09



Hinweis/ Info	Wastegate	Motor / Engine	Turbolader/ Turbocharger
 2	WG CP 2S WG MCS 1 S WG USA 1	VAG <ul style="list-style-type: none"> 1,8 - 2,0 16V 	T3-T4 / GT Serie
			T3-T4 / GT Series 

TM-W-12



Hinweis/ Info	Wastegate	Motor / Engine	Turbolader/ Turbocharger
 	Intern	VAG ab 99 • 1,4 - 1,6 8V	T2 / GT Serie T2 / GT Series

